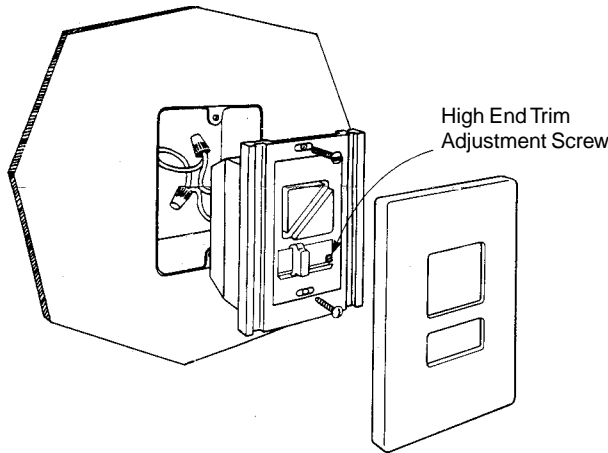


**Overview**

The Low Voltage Ballast controller provides dimming and on/off control of the 0-10 Volt DC electronic controllable ballast.



**Figure 1**

**Before You Start**

1. Always turn off AC power.
2. Use only accessories recommended by Lithonia Control Systems.
3. Use this product only as intended.
4. Install in accordance with National Electrical Code and any other codes which may apply.
5. Equinox is compatible with one, two, and three lamp 0-10 Volt DC electronic dimming ballasts listed below.

Compatible ballast control ranges (Subject to change without notice; contact ballast manufacture for current specs.):

Advance Mark VII, RZT Series	100% to 5% continuous
Advance Mark VII, RDC Series	100% to 20% continuous
Motorola Helios	100% to 10% continuous
MagneTek Ballastar	100% to 20% continuous
Lutron TVE Series	100% to 10% continuous
ELI, SmartStart	100% to 25% continuous

**LEQ BC Wiring Notes**

1. Do not mix (in same conduit) low voltage Equinox (purple and gray) wiring with line voltage conductors unless ballast manufacturers instructions permit.
2. Total low voltage wiring not to exceed 500' with #18 AWG.
3. For long low voltage wiring runs or where excessive electrical noise exists, shielded cable or conduit is recommended.
4. **LINE VOLTAGE WIRING**  
Wire switch to a single circuit of either 120 or 277 volt fixtures as required. Refer to figure 2.

**LOW VOLTAGE WIRING**

Slider control wires directly to a maximum of 50 ballasts (limited to 16 Amps) for full range dimming. Refer to figure 2.

5. Total low voltage wire run 500 feet maximum with #18 AWG. See Chart below for longer distances.

Low Voltage Wire Run	
Wire Size	Max. Distance
#18 AWG	500' (150m)
#16 AWG	825' (250m)
#14 AWG	1300' (400m)
#12 AWG	2100' (650m)

**Mounting Notes:**

1. Carefully dress wires into switch box, install mounting screws, and secure LEQ BC firmly.
2. To attach faceplate align top edge with LEQ BC frame top and push faceplate bottom onto frame.

**Troubleshooting**

1. LIGHTS DO NOT GO TO FULL OUTPUT.  
  
Slide the control to the right and adjust the high end trim until the desired output is achieved.
2. LIGHTS DO NOT DIM LOW ENOUGH.  
  
a) Check the ballast output with a light meter when no other sources of illumination are present, or subtract out other sources from both high and low readings. The ratio of the low reading and the high reading should be at least 1:20 or 0.05 for the Advance Mark VII RZT Series. When taking the high end measurement, adjust trimpot to provide maximum output.  
  
b) If 100% - minimum output is not achieved, check to see that purple and gray wires are not cross connected in **ANY** fixtures.

**Operation**

1. Turn on the AC power to the circuit.
2. Turn on the top switch on the LEQ BC. Observe that the fluorescent lamps illuminate.
3. Slide the control to the right and observe that the lights brighten. Next slide the control to the left and observe that the lights dim in accordance with ballasts dimming range listed.
4. Adjust the high end trim adjustment screw (see figure 1) located behind the faceplate if additional energy savings are desired.

**Warranty**

Lithonia Control Systems warrants all equipment to be free from defect in manufacturing, under normal and proper storage, installation, and use, for a period of one (1) year. Our guarantee liability extends only to the repair or replacement of the defective part and no labor charges for correction of the defect by repair or replacement will be honored by Lithonia Control Systems unless prior written authority has been granted by our Customer Service Department.

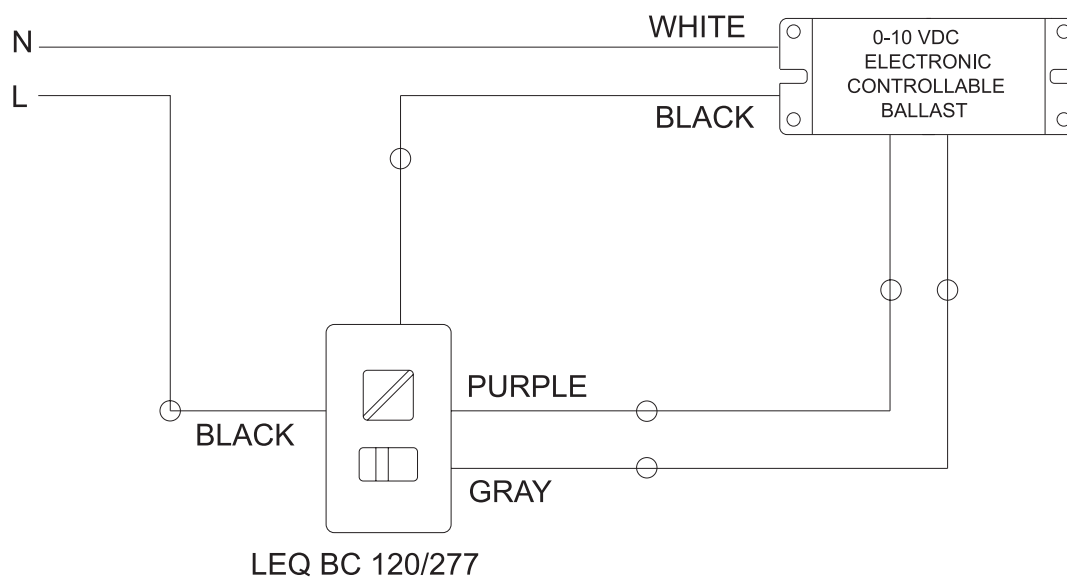


Figure 2 - On/Off and Dimming